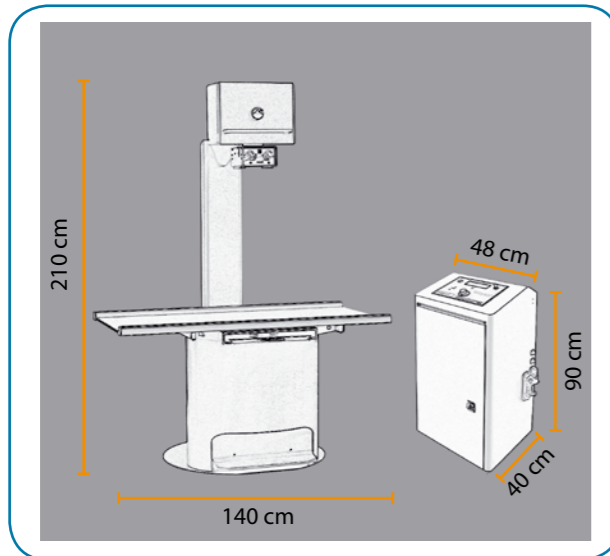


Technical data

The x-ray system is available in the following versions

	70mA - 110KV 3.3KW	100mA - 110KV 5KW	300mA - 125KV 30KW	425mA - 125KV 30KW
Voltage	230V standard - 50/60Hz	230V standard - 50/60Hz	230V standard - 50/60Hz	230V standard - 50/60Hz
Current	max. 16A	max. 25A	max. 16A	max. 16A
Max. Current	70mA	100mA	300mA	425mA
Anode	fixed	fixed	rotating	rotating
Focal spot size	mm. 1.8	mm. 1.8	double focus (microfocuses) mm. 0.8 (small) mm. 1.3 (large)	double focus (microfocuses) mm. 0.8 (small) mm. 1.3 (large)
Min. R.P.M.	—	—	2,800 (50Hz) - anode's diameter mm. 60	2,800 (50Hz) - anode's diameter mm. 60
High frequency generator's type	40KHz	40KHz	40KHz	40KHz
Operational modes	2 parameters setting (KV and mAs)	2 parameters setting (KV and mAs)	2 parameters setting (KV and mAs)	2 parameters setting (KV and mAs)
Programmed anatomical techniques	40 programmes	40 programmes	80 programmes	more than 10,000 possible combinations (selection of anatomical part, thickness and screen type)
KV Selection	in a continuous way from 30 to 110KV (in 1 KV graduations)	in a continuous way from 30 to 110KV (in 1 KV graduations)	in a continuous way from 30 to 125KV (in 1 KV graduations)	in a continuous way from 30 to 125KV (in 1 KV graduations)
mAs Selection	from 0.6 to 125 in 24 steps with increases of 25%	from 0.6 to 125 in 24 steps with increases of 25%	from 0.6 to 125 (250 optional) in 24 steps with increases of 25%	from 0.6 to 125 (250 optional) in 24 steps with increases of 25%
Exposure time	from 0.008 to 2,5 seconds	from 0.006 to 2,5 seconds	from 0.003 a 2 seconds	from 0.003 a 2 seconds
Fixed Grid	included	included	included	included
Potter Bucky	optional	optional	optional	optional



Raffaello HF

Max Height	210 cm
Depth	From 92 to 107 cm
Width	140 cm + 25 cm DX + 25 cm SX

Control table

Height	90 cm
Depth	40 cm
Width	48 cm

ACEM reserves the right to modify the design and specifications contained herein without any prior notice

E. & O.E.



"RAFFAELLO HF" X-RAY SYSTEM



studio grafico GiraCrea - www.giracrea.it

Acem s.p.A.

Via Bazzane, 49 – 40012 Calderara di Reno (BO) – Italy
Tel. +39 051 721844 Fax +39 051 721855

www.acem.it – info@acem.it

Rev. 01 02/09

COMPANY
WITH QUALITY MANAGEMENT
SYSTEM CERTIFIED BY DNV
=ISO 9001:2000=

"Make way for your x-ray"

RAFFAELLO HF "Make way for your x-ray"

ACEM State-of-the-art high frequency x-ray units offer the following benefits of short exposure times, excellent picture clarity and high definition radiographs.

The base is moveable from side to side and front to back, the action is extremely smooth to allow effortless and perfect positioning of your patient. The cassette tray is self-centering and is placed under the radio transparent plane to achieve a consistent distance between patient and x-ray film. The cassette tray is stainless steel and accepts all cassette sizes. The base is constructed from a solid anodized frame to offer years of service and to maintain its "good looks".

The system has been designed to be very simple to operate. The control panel with an attractive white on blue backlight LCD digital display is easy to read and is operated by a single dial and press control called "Rolly". The "Rolly" system allows you to dial up the specific x-ray parameters quickly and trouble-free.

The x-ray unit is also designed with the following safety features:

- Removable key preventing any unguarded use
- Automatic filament current protection
- Internal safeguarded against electrical surges
- Inbuilt X-ray tube protector
- Error messages indicator



Display

An innovative easy-to-read control panel contains all the necessary information required to carry out an examination and offers the possibility to control all functions in a single screen.

Rolly

A central dial controls all functions, enabling accurate management of data at each stage.



Optional



Variable focal distance

The x-ray tube can be lowered to table height and turned a full 90° for standing lateral shots, allowing increased precision in patient positioning.

External lateral cassettes-holder

The external lateral cassettes-holder with variable focal distance gives flexibility of exposure to patients unable to gain the usual positions.



Myelography plane

The myelography plane allows the patient to be positioned safely for the examination.

